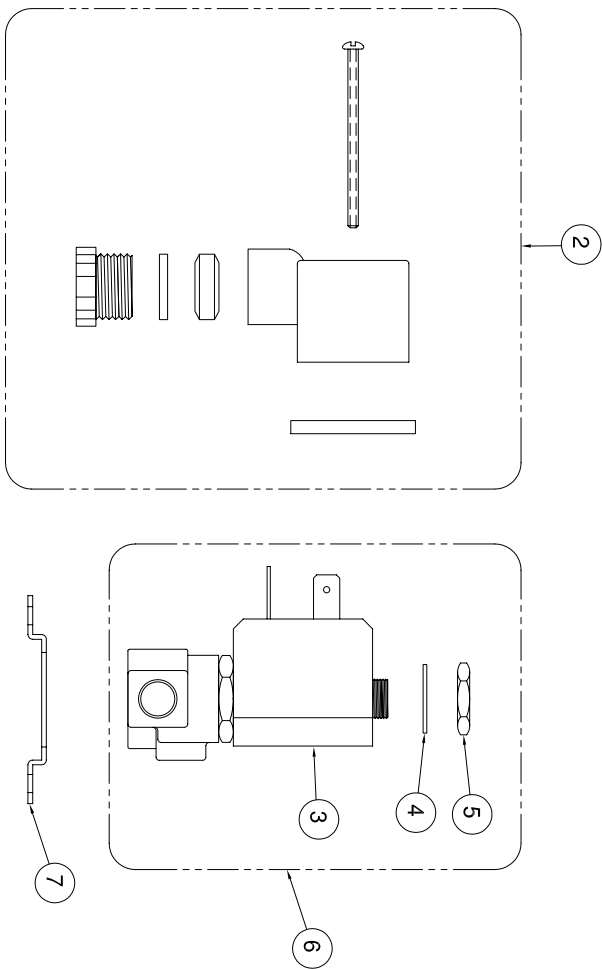


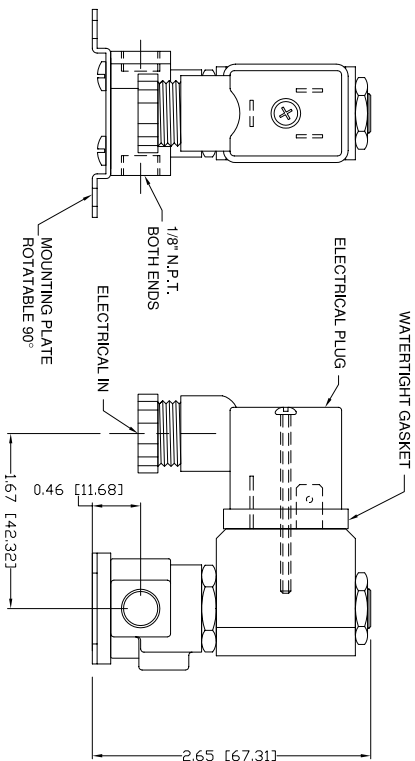
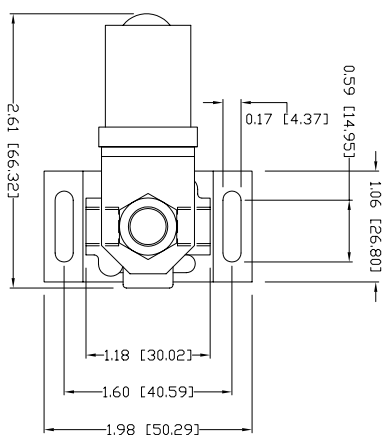
REV.	BY	DATE	DESCRIPTION	APP'D.
D	ZJN	04/25/12	UPDATED FOR NEW VALVE	EMK



**\* SPECIFY VOLTAGE WHEN ORDERING**

ITEM	PART NO.	DESCRIPTION	QUAN.
*	1	SOLENOID VALVE KIT (COMPLETE) INCLUDING ITEMS 2 THROUGH 8	1
*	2	V-69-P PLUG ASSEMBLY	1
*	3	V-69-C SOLENOID VALVE COIL	1
	4	V-69-W WASHER	1
	5	V-69-N RETAINING NUT	1
*	6	V-69 SOLENOID VALVE (WITH COIL)	1
	7	V-69-B MOUNTING BRACKET	1
	8	W100-004ST WASHER, FLAT, M3	2
	9	W078-0385T SCREW, PAN HD, M3 X 8MM X .5MM PITCH	2

**COIL VOLTAGES**  
 12 V.D.C. 6.9 WATTS  
 24 V.D.C. 6.9 WATTS  
 120 V.A.C. (50/60HZ) 6.9 WATTS



**CONFIDENTIAL**

INFORMATION CONTAINED HEREIN IS CONFIDENTIAL. IT IS THE PROPERTY OF KAHLEBERG INDUSTRIES INC. IT IS TO BE USED SOLELY FOR THE PURPOSE PROVIDED AND IT IS NOT TO BE DISCLOSED TO OTHERS WITHOUT THE PRIOR WRITTEN CONSENT OF KAHLEBERG INDUSTRIES INCORPORATED.

KAHLEBERG INDUSTRIES INC.

TWO RIVERS, WISCONSIN 54241



**PARTS LIST/ OUTLINE DIMENSIONS**  
**V-69K SOLENOID VALVE KIT**

DR.	DATE	CKD.	SCALE	DRWG. NO.	REV.
ZJN	02/19/08	EMK	N.T.S.	2-5045	D